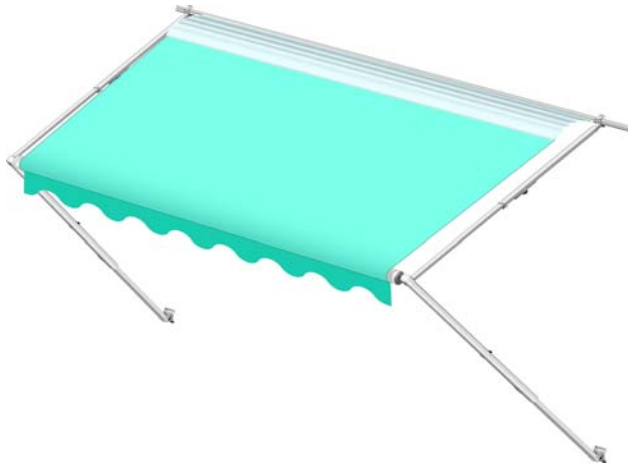




MANUALLY OPERATED PATIO AWNING

**SPIRITFX, FIESTA AND SIMPLICITY AWNINGS**

**RV**



*These instructions apply to all models listed. Details and procedures unique to a specific model are labeled appropriately. For optional equipment, refer to the instructions included with the option.*

TABLE OF CONTENTS

**Product Overview** ..... 1

**Canopy Replacement** ..... 2

    Removing the Old Canopy ..... 2

    Installing the New Canopy ..... 3

**Spring Replacement** ..... 4

    Replacing the Left Spring Assembly ..... 4

    Replacing the Right Spring Assembly ..... 5

    Spring Wind Chart ..... 6

**Remote Lock Replacement (Spirit and Fiesta Only)** ..... 6

**Standard Maintenance** ..... 7

    Fabric Care ..... 7

        Mildew ..... 7

        Pooling ..... 7

    Arm Care ..... 7

        Hardware Maintenance ..... 7

**Part Number Listing** ..... 8

    Spirit FX & Fiesta Part Number Configuration ..... 8

    Simplicity Part Number Configuration ..... 9

    Part Number/Serial Number Location ..... 9

    Spirit FX and Fiesta Illustrated Parts List ..... 10

    Simplicity Illustrated Parts List ..... 12

## PROPRIETARY STATEMENT

The manual Patio Awning is a product of Carefree of Colorado, located in Broomfield, Colorado, USA. The information contained in or disclosed in this document is considered proprietary to Carefree of Colorado. Every effort has been made to ensure that the information presented in the document is accurate and complete. However, Carefree of Colorado assumes no liability for errors or for any damages that result from the use of this document.

The information contained in this manual pertains to the current configuration of the models listed on the title page. Earlier model configurations may differ from the information given. Carefree of Colorado reserves the right to cancel, change, alter or add any parts and assemblies, described in this manual, without prior notice.

Carefree of Colorado agrees to allow the reproduction of this document for use with Carefree of Colorado products only. Any other reproduction or translation of this document in whole or part is strictly prohibited without prior written approval from Carefree of Colorado.

## SAFETY INFORMATION

---

### WARNING

**A WARNING INDICATES A POTENTIALLY HAZARDOUS SITUATION WHICH, IF NOT AVOIDED, COULD RESULT IN DEATH OR SERIOUS INJURY AND/OR MAJOR PROPERTY DAMAGE.**

---

### CAUTION

**A CAUTION INDICATES A POTENTIALLY HAZARDOUS SITUATION THAT MAY CAUSE MINOR TO MODERATE PERSONAL INJURY AND/OR PROPERTY DAMAGE. IT MAY ALSO BE USED TO ALERT AGAINST UNSAFE PRACTICES.**

**NOTE: A note indicates further information about a product, part, or step.**

*Tip: A tip provides helpful suggestions.*

### Safety Notes:

- Always disconnect battery or power source before working on or around the electrical system.
- Always wear appropriate safety equipment (i.e. goggles).
- Always use appropriate lifting devices and/or helpers when lifting or holding heavy objects.
- When using fasteners, use care to not over tighten. Soft materials such as fiberglass and aluminum can be "stripped out" and lose the ability to grip and hold.
- Use extreme care when working with the roller springs. Springs are under tremendous tension and will quickly unwind if released. Possible injury and/or damage may occur.

### REFERENCE PUBLICATIONS LOCATED @ [www.carefreeofcolorado.com](http://www.carefreeofcolorado.com):

- 052876-005 Patio Awning Installation Manual
- 052876-201 Patio Awning Owner's Manual
- 052876-301 Patio Awning Service Manual

### Awning Accessory Manuals:

- 052787-003 Thin-Lite Installation & Operation Manual
- 052796-001 Power Pack Installation (discontinued)
- 052806-003 Automatic Awning Support
- 052807-004 Rafter VI Installation & Operation Manual
- 052959-001 Rafter VII Installation & Operation Manual

## PRODUCT OVERVIEW

The Carefree line of traditional rollup awnings provides the RV owner with choices of multiple fabrics and options while having some of the strongest and long lasting hardware in the industry. Three models are available;

*Simplicity* - Basic awning with adjustable arm supports. The adjustable arms allow the user to adjust the pitch of the awning and can be placed in the carport position when desired.

*Fiesta* – Builds on the basic Simplicity by adding refined features including a remote lock, storage travel locks and canopy clamps to help tension the fabric. Additional fabrics with Weatherguard or Alumaguard are available.

*Spirit FX* – The premier of Carefree's traditional awnings, the Spirit adds additional deluxe features to the popular Fiesta. The roll bar has a utility slot for tie-down straps, Thin-Lites and hangers.

### FEATURE COMPARISON

MODEL	EXTENSION <sup>1</sup>	AVAILABLE LENGTHS	BRAKE LEVER RELEASE	ARM TRAVEL LOCK METHOD	ROLL BAR STYLE	CANOPY CLAMP
Simplicity	8' <sup>1</sup>	8' to 21'	Wand Set	Strap	3.5" (3-Slot)	n/a
Fiesta	8' <sup>1</sup>	8' to 25'	Remote Lock	Storage Lock	3.5" (3-Slot)	Standard
Spirit FX	8' <sup>1</sup>	8' to 25'	Remote Lock	Storage Lock	3.5" w/ Utility Slot	Standard

#### HARDWARE COLOR:

Simplicity White w/ Satin Finish Castings

Fiesta White w/ White Castings; Custom Colors Available

Spirit FX

#### FABRIC OPTIONS <sup>2</sup>

	VINYL W/ WEATHERGUARD	POLYWEAVE	VINYL OR POLYWEAVE W/ ALUMAGUARD	ACRYLIC W/ ALUMAGUARD
Simplicity	<b>Standard</b>	n/a	n/a	n/a
Fiesta	<input checked="" type="checkbox"/>	<input checked="" type="checkbox"/>	<input checked="" type="checkbox"/>	<input checked="" type="checkbox"/>
Spirit FX	<input checked="" type="checkbox"/>	<input checked="" type="checkbox"/>	<input checked="" type="checkbox"/>	<input checked="" type="checkbox"/>

#### ADDITIONAL OPTIONS <sup>2</sup>

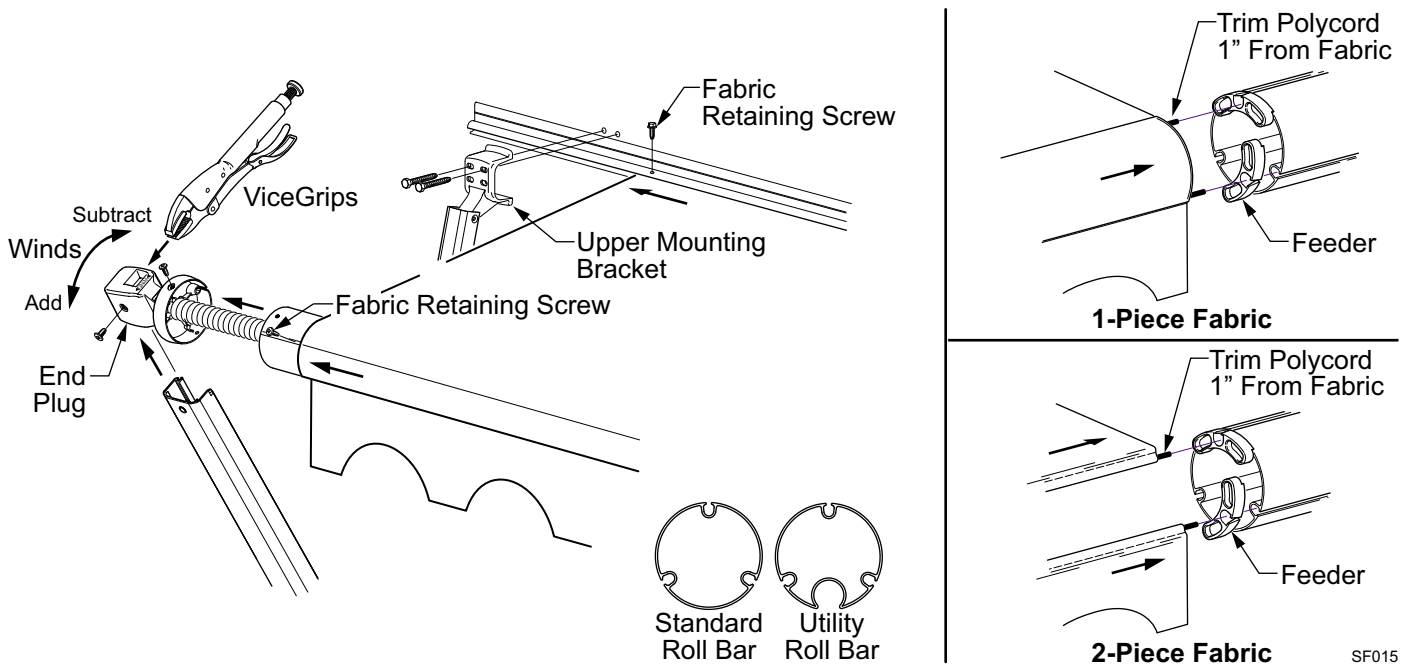
	THIN LITE	TIE DOWN STRAPS	AWNING HANGERS	CURVED HARDWARE <sup>5</sup>	CENTER RAFTER <sup>3,4</sup>	ADD-A-ROOM <sup>3,4</sup>
Simplicity	<input checked="" type="checkbox"/>	<input checked="" type="checkbox"/>	n/a	n/a	<input checked="" type="checkbox"/>	<input checked="" type="checkbox"/>
Fiesta	<input checked="" type="checkbox"/>	<input checked="" type="checkbox"/>	n/a	<input checked="" type="checkbox"/>	<input checked="" type="checkbox"/>	<input checked="" type="checkbox"/>
Spirit FX	<b>Standard</b>	<b>Standard</b>	<b>Standard</b>	<input checked="" type="checkbox"/>	<input checked="" type="checkbox"/>	<input checked="" type="checkbox"/>

- Notes:
1. Optional Hi-Lo Awnings have an extension of 6' 6".
  2. Some options may not be available through Original Equipment Manufacturer Installations.
  3. Consult the sales and order information for specific application availability.
  4. Options are ordered separately.
  5. Curved Hardware is not available for Simplicity

# CANOPY REPLACEMENT

## ⚠️ WARNING

**THIS PROCEDURE REQUIRES WORKING WITH THE ROLLER SPRINGS. OBSERVE ALL CAUTIONS. FAILURE TO FOLLOW THE INSTRUCTIONS CAN RESULT IN PERSONAL INJURY AND PROPERTY DAMAGE.**



**Figure 1. Canopy Replacement.**

### REMOVING THE OLD CANOPY

1. Remove the fabric retaining screws located in the rollbar and the awning rail (4 in total). Set screws aside.
2. Extend the awning out completely.
3. On the right side, lift and lock the upper brace in position. As a precaution, tape the roller lock in the open position.
4. On the left side of the awning, remove the upper mounting bracket from the coach wall. Allow the brace to pivot out of the way.
5. On the left arm, grasp the end plug firmly with vice grips. Pad the grip teeth to prevent damage or marring on the end plug.

## ⚠️ CAUTION

**WHEN REMOVED FROM THE ARM, THE SPRING IS UNDER EXTREME TENSION AND WILL UNWIND QUICKLY. KEEP HANDS AND CLOTHING CLEAR WHILE FIRMLY HOLDING THE VICE GRIPS! DO NOT TRY TO HOLD BY HAND.**

6. Remove the attaching screw and remove the end plug from the arm while firmly holding onto the vice grips.
  - It will be necessary to hold onto the arm and move it out of the way when the end plug is removed.
  - It will be necessary to support the roll bar.
7. Carefully count the number of turns while unwinding the spring. To unwind, rotate the end plug over the top and towards the coach.
8. Remove the screws attaching the end cap to the roll bar.
9. Remove the spring from the roll bar and set aside.
10. Mark the slots that the canopy is mounted in then slide the old canopy out from the roll bar and awning rail.

## INSTALLING THE NEW CANOPY

1. Clean and deburr the roll bar slots and awning rail as required. If not previously done, spread open the awning rail track to facilitate inserting the new fabric.

*Tip: Lightly spraying the slots with a dry silicone lubricant will help the fabric slide into the slot without staining the material.*

2. Position the fabric feeders on the roll bar. Be sure to use the same slots as the old canopy.
3. Slide the new canopy into the awning rail and roll bar simultaneously. Center on the roll bar.
  - For a one piece canopy it will be necessary to slide the canopy and valance at the same time.
  - For two piece replacements, slide the canopy in first then slide the valance into the second slot.
4. Remove the feeders.
5. Slide the spring into the roll bar. Align the end cap on the roll bar then press onto the roll bar completely. The roll bar should bottom out inside the cap.
6. Attach the end cap to the roll bar with the screws removed previously.
7. Grasp the end plug with vice grips and turn the spring to add winds. To wind, rotate the end plug over the top and away from the coach. The number of turns must equal the same as the number removed previously.

### CAUTION

**THE SPRING IS UNDER EXTREME TENSION; WHEN THE END PLUG IS NOT ATTACHED TO THE ARM CHANNEL THE SPRING WILL UNWIND QUICKLY. KEEP HANDS AND CLOTHING CLEAR WHILE FIRMLY HOLDING THE VICE GRIPS!  
DO NOT TRY TO HOLD THE END PLUG BY HAND.**

8. Place the end plug over the arm channel and attach using the screw removed previously. Remove the vice grips.
9. Loosely attach the upper mounting bracket to the coach.
10. Inspect the awning. Adjust the canopy position to remove wrinkles with the canopy square to the roll bar.
11. Release the upper brace on the right side of the awning and remove the tape from the locking lever.
12. SLOWLY roll up the awning while watching the left arm and brace. Use the slots in the upper mounting bracket to adjust the brace position so that the brace and arm nestle together properly.
13. Tighten the upper mounting bracket screws.
14. Extend and retract the awning several times to confirm that the canopy is rolling up straight. Then secure the fabric using the fabric retaining screws removed previously.
  - The upper screws go through the awning rail, fabric and polycord approximately 1" in from the edge of the fabric.
  - The roll bar screws go into the slot and through the polycord on the outside edge of the fabric.

# SPRING REPLACEMENT

## ⚠️WARNING

**THESE PROCEDURES REQUIRE WORKING WITH THE ROLLER SPRINGS. OBSERVE ALL CAUTIONS. FAILURE TO FOLLOW THE INSTRUCTIONS CAN RESULT IN PERSONAL INJURY AND PROPERTY DAMAGE.**

### REPLACING THE LEFT SPRING ASSEMBLY

1. Extend the awning out completely.
2. On the right side, lift and lock the upper brace in position. Tape the roller lock in the OPEN position.
3. On the left arm, grasp the end plug firmly with vice grips. Pad the grip teeth to prevent damage or marring on the end plug.

## ⚠️CAUTION

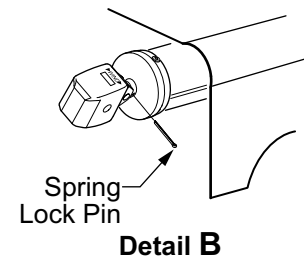
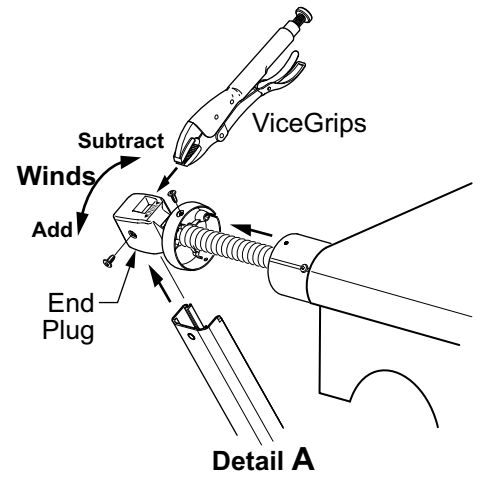
**WHEN REMOVED FROM THE ARM, THE SPRING IS UNDER EXTREME TENSION AND WILL UNWIND QUICKLY. KEEP HANDS AND CLOTHING CLEAR WHILE FIRMLY HOLDING THE VICE GRIPS! DO NOT TRY TO HOLD BY HAND.**

4. Remove the attaching screw and remove the end plug from the arm while firmly holding onto the vice grips.
  - It will be necessary to hold onto the arm and move it out of the way when the end plug is removed.
  - It will be necessary to support or hold the roll bar during the rest of the procedures.
5. Unwind the spring. To unwind, rotate the end plug over the top and towards the coach.

## ⚠️CAUTION

**A BROKEN SPRING CAN STILL RETAIN WINDS UNDER TENSION.**

6. Remove the screws attaching the end cap to the roll bar. Set screws aside.
7. Remove the spring from the roll bar and set aside.
8. Slide the new spring into the roll bar. Align the end cap on the roll bar then press onto the roll bar completely. The roll bar should bottom out inside the cap.
9. Attach the end cap to the roll bar with the screws removed previously.
10. Grasp the end plug with vice grips and turn the spring to add winds. To wind, rotate the end plug over the top and away from the coach. One complete turn equals one wind. Use the spring wind chart on page 6 for the correct number of winds.



SF017

**Figure 2. LH Spring.**

## ⚠️CAUTION

**WHILE THE END PLUG IS NOT ATTACHED TO THE ARM CHANNEL, THE WOUND SPRING IS UNDER EXTREME TENSION AND WILL UNWIND QUICKLY. KEEP HANDS AND CLOTHING CLEAR WHILE FIRMLY HOLDING THE VICE GRIPS! DO NOT TRY TO HOLD THE END PLUG BY HAND.**

11. Temporarily insert a cotter pin through the cap and spring (refer to Detail B).
12. Slide the end plug over arm channel. Align the holes and secure using one (1) 1/4-20 x 7/16 Quadrex Drive screw.
13. Remove the cotter pin and tape from the roller lock then release the upper brace.
14. Slowly roll up the awning and observe that the braces and arms nestle together correctly. If necessary, loosen the screws holding the upper mounting bracket then use the slots in the bracket to adjust the brace position so that the brace and arm nestle together properly.

## REPLACING THE RIGHT SPRING ASSEMBLY

1. Extend the awning out completely.
2. On the left side, lift and lock the upper brace in position. Insert a cotter pin through the cap and spring (refer to Detail A).
3. On the right arm, grasp the end plug firmly with vice grips. Pad the grip teeth to prevent damage or marring on the end plug.

**⚠ CAUTION**

**WHEN REMOVED FROM THE ARM, THE SPRING IS UNDER EXTREME TENSION AND WILL UNWIND QUICKLY. KEEP HANDS AND CLOTHING CLEAR WHILE FIRMLY HOLDING THE VICE GRIPS! DO NOT TRY TO HOLD THE END PLUG BY HAND.**

4. Remove the attaching screw and remove the end plug from the arm while firmly holding onto the vice grips.
  - It will be necessary to hold onto the arm and move it out of the way when the end plug is removed.
  - It will be necessary to support or hold the roll bar during the rest of the procedures.
5. Place the roller lock in the CLOSE position then unwind the spring. To unwind, rotate the end plug over the top and towards the coach.

**⚠ CAUTION**

**A BROKEN SPRING CAN STILL RETAIN WINDS UNDER TENSION.**

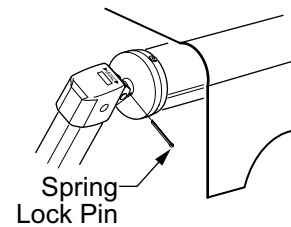
6. Remove the screws attaching the end cap to the roll bar. Set screws aside.
7. Remove the spring from the roll bar and set aside.
8. Slide the new spring into the roll bar. Align the end cap on the roll bar then press onto the roll bar completely. The roll bar should bottom out inside the cap.
9. Attach the end cap to the roll bar with the screws removed previously.
10. Place the roller lock in the OPEN position then grasp the end plug with vice grips and turn the spring to add winds. To wind, rotate the end plug over the top and away from the coach. One complete turn equals one wind. Use the chart on page 6 for the correct number of winds.

**⚠ CAUTION**

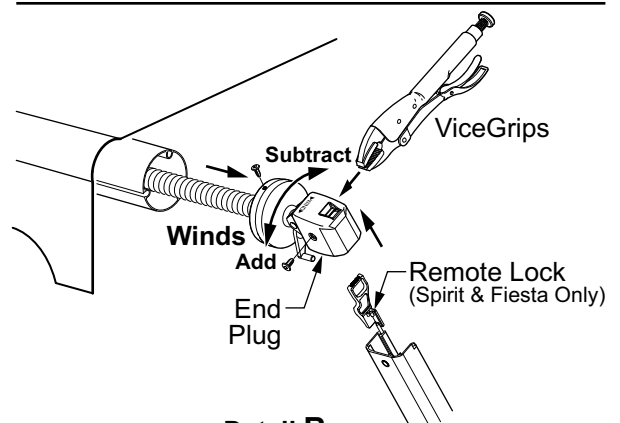
**WHILE THE END PLUG IS NOT ATTACHED TO THE ARM CHANNEL, THE WOUND SPRING IS UNDER EXTREME TENSION AND WILL UNWIND QUICKLY. KEEP HANDS AND CLOTHING CLEAR WHILE FIRMLY HOLDING THE VICE GRIPS! DO NOT TRY TO HOLD THE END PLUG BY HAND.**

1. *For Simplicity* Slide the end plug over arm channel. Align the holes and secure using one (1) 1/4-20 x 7/16 Quadrex Drive screw.
2. *For Spirit and Fiesta:* Hook the remote lock over the brake lever while sliding the end plug over the arm. Align the holes in the arm and end plug and secure using one (1) 1/4-20 x 7/16 Quadrex Drive screw.
 

*Tip: Slide the remote lock up until it protrudes over the arm. Hook the remote over the brake lever. Allow the remote lock to slide back into the channel while sliding the end plug over the arm channel.*
11. Slowly roll up the awning and observe that the braces and arms nestle together correctly. If necessary, loosen the screws holding the upper mounting bracket then use the slots in the bracket to adjust the brace position so that the brace and arm nestle together properly.



**Detail A**



**Detail B**

**Figure 3. RH Spring.**

SF018

SPRING WIND CHART

Length of Awning	Winds w/ Awning Closed	Winds w/ Awning Open
7' 11" or less	6	14
8' – 12'	5	13
12' 1" – 18'	7	15
18' 1" and longer	8	16

- To wind, rotate the end plug over the top and away from the coach.
- To unwind, rotate the end plug over the top and towards the coach.

REMOTE LOCK REPLACEMENT (SPIRIT AND FIESTA ONLY)

1. Open the awning. On the left arm, raise and lock the upper brace in position. Do not forget to tighten the black lock knob.

**NOTE:** As an additional safety, align the cotter pin holes in the LH cap and spring and temporarily insert a lock pin through the hole (reference Detail A in Figure 3 on page 5). This will prevent the awning from closing if the upper brace is not adequately tightened.

2. On the right side, tape the roller lock lever in the OPEN position.

**⚠ CAUTION**

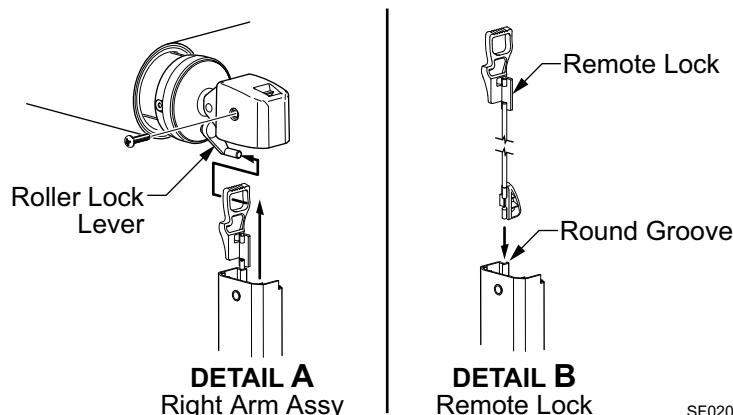
**THE ROLLER LOCK MUST STAY IN THE OPEN POSITION. IF THE LEVER IS PUSHED TO THE CLOSE POSITION WHILE THE END PLUG IS NOT ATTACHED TO THE ARM CHANNEL, THE WOUND SPRING WILL UNWIND QUICKLY WITH SIGNIFICANT FORCE. PERSONAL INJURY AND/OR PROPERTY DAMAGE COULD OCCUR.**

3. (Detail A) Detach the end plug and lift off of the arm channel. Unhook the old remote lock stirrup from the lock lever while lifting the roll bar.

- It will be necessary to hold onto the arm when the end plug is removed.
- It will be necessary to support or hold the roll bar during the next two steps.

4. Slide the old remote lock out of the round groove of the right arm.

5. Clean the groove then slide the new remote lock in. Allow the lock to protrude over the arm channel.



**Figure 4. Remote Lock Installation.**

6. Lift the roll bar over the arm channel and hook the remote lock stirrup over the lever. Slide the remote lock into the channel while sliding the end plug onto the arm.

7. Align the holes and secure the end plug with the screw removed previously.

8. Remove cotter pin (if installed) and the tape used to hold the lock lever in place.



## STANDARD MAINTENANCE

Maintaining the Carefree Manual Patio Awning is easy. Just follow these basic steps:

- Always operate the awning according to the instructions.
- Periodically check that the fasteners are tight. Tighten if necessary.
- Keep the awning fabric and arms clean.

### FABRIC CARE

**⚠ CAUTION DO NOT USE OIL BASED CLEANERS OR ANY CAUSTIC, GRANULATED, OR ABRASIVE TYPE CLEANERS ON YOUR CAREFREE PRODUCT.**

1. One of the best ways to keep the fabric looking good and to delay the need for deep or vigorous cleanings is to hose fabrics off on a monthly basis with clear water. This practice will help prevent dirt from becoming deeply imbedded in the fabric. In most environments, a thorough cleaning will be needed every two to three years.
2. When it's time for a thorough cleaning, the fabric can be cleaned while still on an awning frame.
  - For Vinyl Fabric – Use a soft brush and warm water with soap.
  - For Acrylic Fabric – Use a stiff brush and warm water with soap.
3. When cleaning the fabric, it is important to observe the following:
  - Always use a natural soap, never detergent.
  - Water should be cold to lukewarm, never more than 100°F.
  - Air-dry only. Never apply heat to the fabric.
  - Always allow the fabric to dry thoroughly before rolling up the awning.

#### *Mildew*

Mildew is a fungus growth that looks like dirt. Vinyl coated polyester fabrics are mildew resistant because of a chemical biocide in the vinyl coating. Under ordinary conditions, mildew will not appear. However, in areas where high temperature and humidity are common, mildew can be a problem and required the material to be washed more frequently. Thoroughly rinse the fabric with clean water and allow to air dry completely before rolling up the awning.

#### *Pooling*

When water collects on the top of the fabric, this is known as "pooling". This can occur during inclement weather or if a running air conditioner discharges over the awning. The water is dumped when the awning is retracted. It is recommended that if water accumulates on the top, briefly retract the awning to dump the water. This will help prevent the fabric from stretching or distorting.

#### *Leaking*

On vinyl canopies, side hems and poly cords are stitched in with a sewing machine. On occasion, this stitching may allow water to seep or leak through the stitches. This is normal and not a defect covered by warranty. Treat the seams with a quality seam sealer.

### ARM CARE

The best method of keeping the arms and braces operating smoothly is to clean them. Dirt and debris can cause the channels not to slide easily.

Periodically wash out the channels with running water (i.e. a hose) to keep them clean. If the channels still do not slide easily, lightly spray the inside of the channels with a dry silicone lubricant, after the arms have been cleaned and dried thoroughly.

#### *Hardware Maintenance*

- Replace any parts that become damaged.
- Periodically check all mounting hardware, screws, lags, etc., and re-tighten when necessary.
- Locking knobs should be periodically loosened and removed then sprayed with a dry lubricant to prevent binding and locking.

**PART NUMBER LISTING**

**SPIRIT FX & FIESTA PART NUMBER CONFIGURATION**

**Example: Part Number: 25 18 79 79**

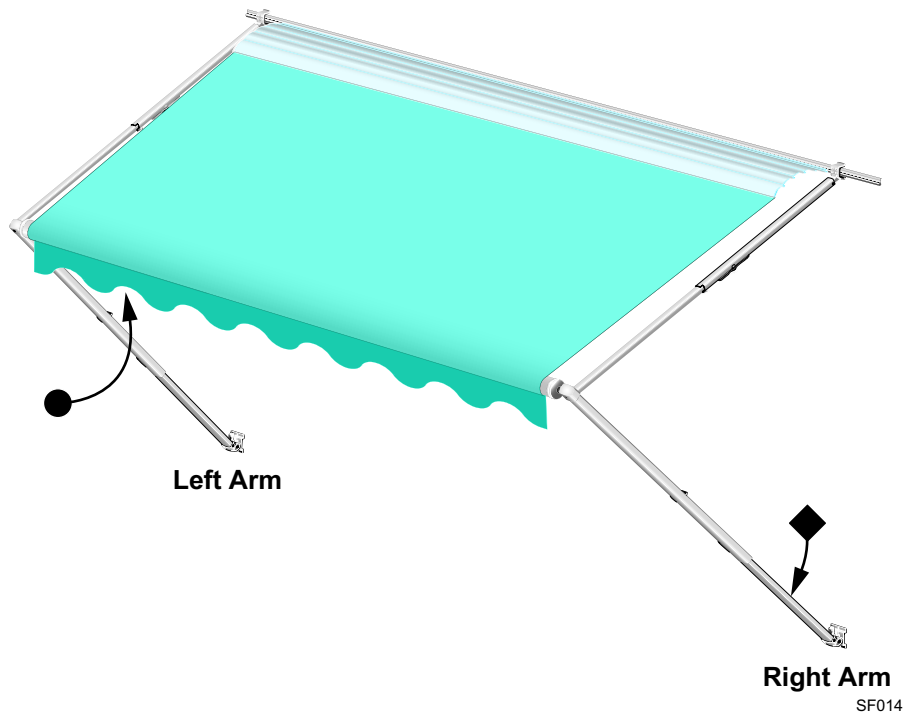
STYLE CODE	SIZE	CANOPY COLOR	FABRIC WRAP TYPE/COLOR
<b>25</b>	<b>18</b>	<b>79</b>	<b>79</b>
SPIRIT FX Vinyl w/ Black Castings	18' Length	Ocean Blue Vinyl	Ocean Blue/Cream Weatherguard
<b><u>SPIRIT FX</u></b> <b>25</b> = Vinyl or Polyweave w/ Black Castings <b>DV</b> = Vinyl or Polyweave w/ White Castings <b>26</b> = Acrylic w/ Alumaguard Ltd w/ Black Castings <b>DW</b> = Acrylic w/ Alumaguard Ltd w/ White Castings <b>FIESTA</b> <b>86</b> = Vinyl or Polyweave w/ Black Castings Up To 21' <b>EP</b> = Vinyl or Polyweave w/ Black Castings Over 21' <b>EA</b> = Vinyl or Polyweave w/ White Castings Up To 21' <b>ER</b> = Vinyl or Polyweave w/ White Castings Over 21' <b>SA</b> = Vinyl or Polyweave w/ Alumaguard w/ Black Castings Up To 21' <b>SB</b> = Vinyl or Polyweave w/ Alumaguard w/ Black Castings Over 21' <b>SE</b> = Vinyl or Polyweave w/ Alumaguard w/ White Castings Up To 21' <b>SF</b> = Vinyl or Polyweave. With Alumaguard /White Castings Over 21' <b>AB</b> = Acrylic w/ Alumaguard Ltd W /Black Castings Up To 21' <b>ET</b> = Acrylic w/ Alumaguard Ltd w/ Black Castings Over 21' <b>EB</b> = Acrylic w/ Alumaguard Ltd w/ White Castings Up To 21' <b>EU</b> = Acrylic w/ Alumaguard Ltd w/ White Castings Over 21'	8' 9' 10' 11' 12' 13' 14' 15' 16' 17' 18' 19' 20' 21' 22' 23' 24' 25'	<b><u>VINYL</u></b> Refer to Sales and Order Information for Color Availability and Color Codes <b><u>CUSTOM GRAPHICS</u></b> Refer to Sales and Order Information for Color Availability and Color Codes <b><u>ACRYLIC</u></b> Refer to Sales and Order Information for Color Availability and Color Codes AVAILABLE IN HORIZONTAL OR VERTICAL STRIPE OR SOLID. <b><u>CUSTOM ACRYLIC</u></b> 140 custom colors are available Refer to Sales and Order Information for Color Availability and Color Codes	<b><u>VINYL</u></b> Refer to Sales and Order Information for Color Availability and Color Codes <b><u>ALUMAGUARD</u></b> Refer to Sales and Order Information for Color Availability and Color Codes

SIMPLICITY PART NUMBER CONFIGURATION

Example: Part Number: 77217900

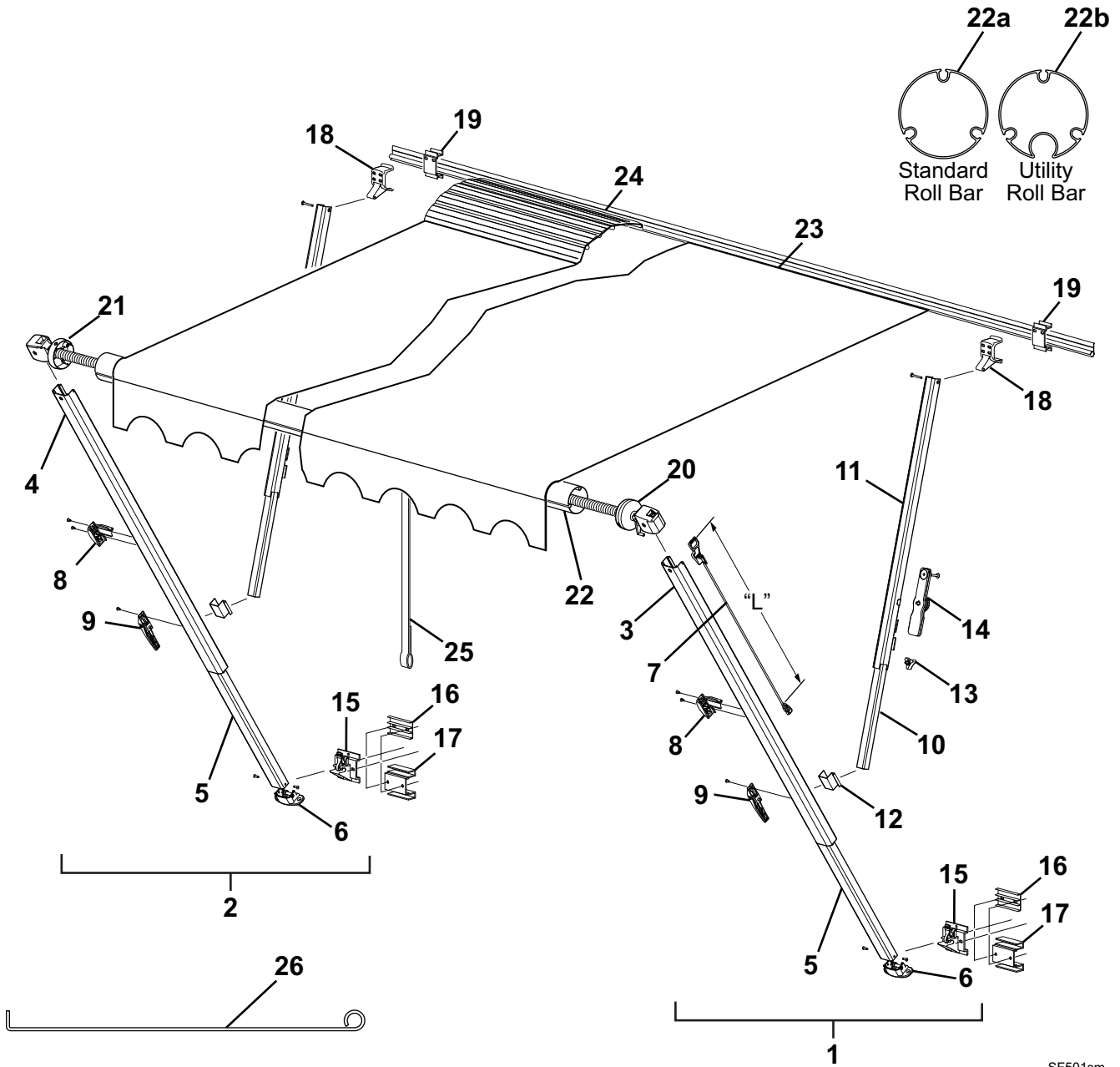
STYLE CODE	SIZE	CANOPY COLOR	FABRIC WRAP TYPE/COLOR
77	21	79	00
Simplicity Awning	21' Length	Ocean Blue	White Weatherguard
77 = Simplicity Awning - All	8' 9' 10' 11' 12' 13' 14' 15' 16' 17' 18' 19' 20' 21'	<b>VINYL</b> Refer to Sales and Order Information for specific color availability and color codes	<b>VINYL</b> 00 = WHITE (xx) = MATCHING COLOR

PART NUMBER/SERIAL NUMBER LOCATION



- ◆ The arm part numbers/serial numbers are located on the inside of the lower arm channel.
- The roll bar part numbers/serial numbers are located on the roller tube and the valance care label.

SPIRIT FX AND FIESTA ILLUSTRATED PARTS LIST

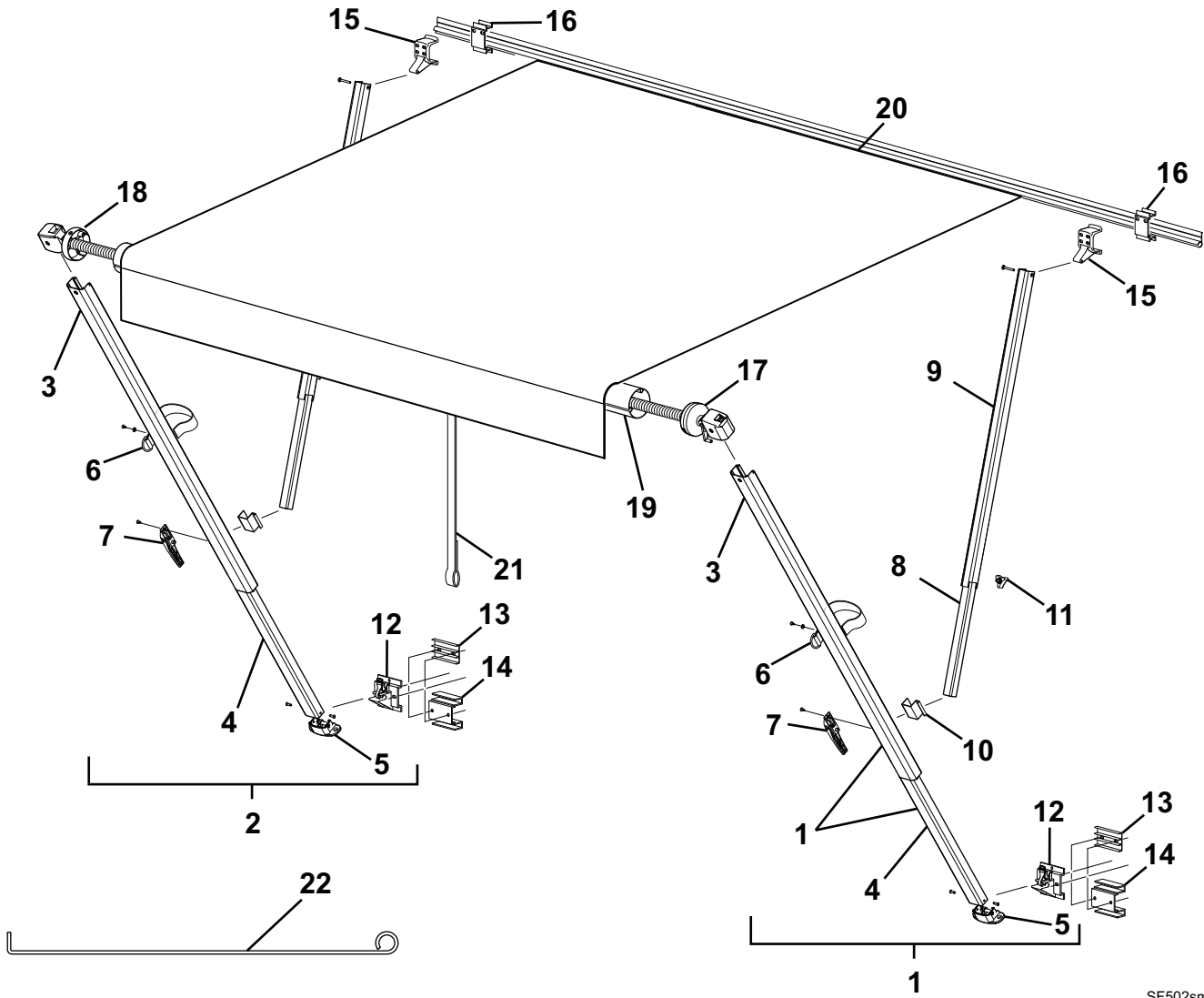


SF501sm

Item	Part Number	Description	Notes
1	R00415-301-XX	1/2 Set Hardware – Universal	Right 1
2	R00416-301-XX	1/2 Set Hardware – Universal	Left 1
3	R00410-301-XX	Upper Main Arm	Right 1
4	R00411-301-XX	Upper Main Arm	Left 1
5	R00412-101-XX	Lower Main Arm (includes Item 6)	1
6	901020	Carport Foot	Black
	901020W	Carport Foot	White
7	R012803-005	Remote Lock, White	L = 38.5" Universal
	R012803-006	Remote Lock, Black	L = 38.5" Universal
	R012803-105	Remote Lock, White	L = 25.4" Hi-Lo
	R012803-106	Remote Lock, Black	L = 25.4" Hi-Lo
	R012803-405	Remote Lock, White	L = 41.5" Monaco
	R012803-406	Remote Lock, Black	L = 41.5" Monaco
	R012803-505	Remote Lock, White	L = 51.8" Teton
	R012803-506	Remote Lock, Black	L = 51.8" Teton
	R012803-205	Remote Lock, White	L = 34.4" Short
	R012803-206	Remote Lock, Black	L = 34.4" Short
8	901017	Travel Lock, Black	
	901017W	Travel Lock, White	
9	901015W	Handle, White	
	901015	Handle, Black	
10	R00414-301-XX	Lower Brace	
11	R00413-301-XX	Upper Brace	
12	R00405	Brace Slider	
	R00549	Brace Slider	Pre 1997
13	901022	Locking Knob	
14	902801W	Canopy Clamp, White	
	902801	Canopy Clamp, Black	
15	901019W	Bottom Bracket, White	
	901019	Bottom Bracket, Black	
16	R00716	Bottom Bracket, Shim	Optional pkg of 2
17	169037	Bottom Bracket Stand-Off	Optional Airstream
18	901018W	Top Bracket, White	
	901018	Top Bracket, Black	
19	249153	Top Bracket Stand-Off	Optional
20	R00926XXX	Spring Assy, RH	7' 11" or less 1,3
	R00925XXX	Spring Assy, RH	8'-18' 1
	R00926XXX	Spring Assy, RH	18' 1" and longer
21	R00923XXX	Spring Assy, LH	8'-18' 1,2
	R00924XXX	Spring Assy, LH	18' 1" and longer 1,2
22a	19xx00	Roller Tube, 3-Slot	3 1/2" Dia
22b	15xx00A	Roller Tube, w/ Utility Slot	3 1/2" Dia
23		Canopy Only	Refer to Canopy Order Form
24		Canopy w/ Alumaguard	Refer to Canopy Order Form
25	901011	Pull Strap	
26	901035	Pull Wand	43"
	901035XL	Pull Wand	61"
	<i>The following items are not shown</i>		
	R012479-006	Hardware Pack	Black Castings
	R012479-005	Hardware Pack	White Arms w/ White Castings
	249161	Hi-Lo Bracket	

Notes: 1. XX = Color -06 = Satin w/ Black Castings -55 = White w/ White Castings  
2. Awnings 7'11" and shorter use only one RH spring, no LH spring.

SIMPLICITY ILLUSTRATED PARTS LIST



SF502sm

Item	Part Number	Description	Notes
1	R00415-402-XX	Arm Assy, 1/2 Set – Universal Right	1
2	R00416-402-XX	Arm Assy, 1/2 Set – Universal Left	1
3	R00410-401-XX	Upper Main Arm	1
4	R00412-401-XX	Lower Main Arm (includes Item 6)	1
5	249104UP	Carport Foot Unpainted	
6	R00532	Travel Strap	
7	901015W	Handle, White	
	901015	Handle, Black	
8	R00414-401-XX	Lower Brace	
9	R00413-401-XX	Upper Brace	
10	R00405	Brace Slider	
11	901022	Locking Knob	
12	R00935	Bottom Bracket	
13	R00716	Bottom Bracket, Shim	pkg of 2
14	169037	Bottom Bracket Stand-Off	Airstream
15	249162UP	Top Bracket	
16	249153	Top Bracket Stand-Off	
17	R00926MIL	Spring Assy, RH 7' 11" or less	1,2
	R00925MIL	Spring Assy, RH 8'-18'	1
	R00926MIL	Spring Assy, RH 18' 1" and longer	
18	R00923MIL	Spring Assy, LH 8'-18' Width	1,2
	R00924MIL	Spring Assy, LH 18' 1" and longer	1,2
19	19xx00	Roller Tube, 3-Slot 3 1/2" Dia	
20		Canopy Only Refer to Canopy Order Form	
21	901011	Pull Strap	
22	901035	Pull Wand 43"	
	901035XL	Pull Wand 61"	
<i>The following items are not shown</i>			
	R012804-002	Hardware Pack	

- Notes: 1. XXX = Color -00 = Satin w/ unpainted Castings -50 = White w/ unpainted Castings  
 -20 = Cameo w/ unpainted Castings  
 2. Awnings 7'11" and shorter use only one RH spring, no left hand spring.

